

HI-TECH ELECTRODES



**A COMPLETE RANGE
FOR YOUR SPECIFIC APPLICATIONS**



OFFICIAL DISTRIBUTOR



 Selectarc®

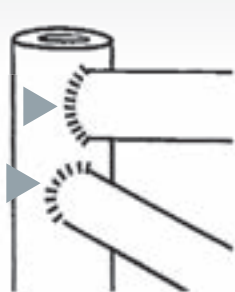


Specific welding solutions



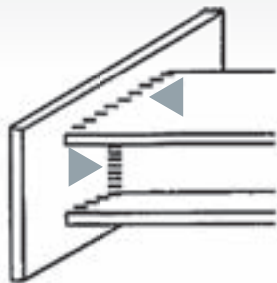
RUTILE ELECTRODE

- **SELECTARC 48Sp**
All positions - All difficult applications
- **SELECTARC 51**
Universal - All positions



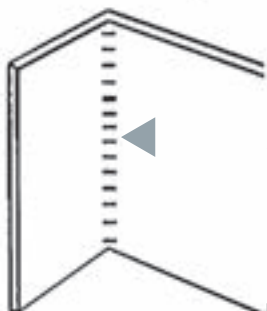
RUTILE ELECTRODE

- **SELECTARC 54**
Flat position - Nice appearance

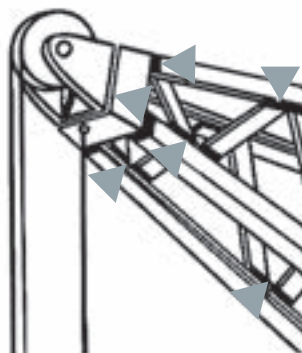


RUTILE ELECTRODE

- **SELECTARC D6**
Special vertical down applications



Agricultural equipment
Blacksmith trade
Chemical industry
Civil engineering
Frameworks/Field work
Petroleum industry

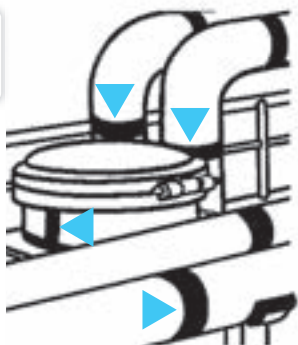


BASIC ELECTRODE

- **SELECTARC B7016Sp**
Excellent operator appeal
- **SELECTARC B58**
Universal 7018

STAINLESS STEEL ELECTRODE

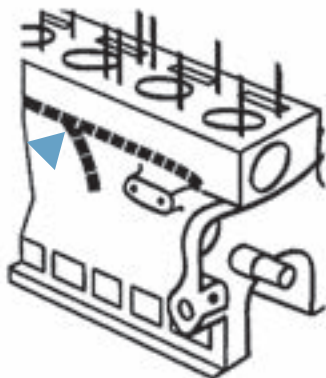
- **SELECTARC 20/10 BC**
Stainless steel type 304L
- **SELECTARC 20/10 MBC**
Stainless steel type 316L
- **SELECTARC 24/12S**
*Stainless steel type 309L
Steel/Stainless steel*



Quarry
Sheet metal
Shipbuilding
Maintenance
Metalwork
Mines
Nuclear
...

CAST IRON ELECTRODE

- **SELECTARC Ferro Ni**
*Contaminated cast iron
Cast iron/steel*
- **SELECTARC Fonte Ni**
All lamellar cast iron
- **SELECTARC Bimetal-NiFe**
UTS on grey lamellar cast iron



HARDFACING ELECTRODE

- **SELECTARC HB61R**
Universal - 600HB
- **SELECTARC HB63**
Mineral abrasion



REPAIR ELECTRODE

- **SELECTARC 307R**
Difficult-to-weld steels
- **SELECTARC 29/9**
High security - Multi-purpose
- **SELECTARC B90**
Extreme cases - High security

... and a complete range for your specific applications.
Ask for our catalogue **Selectarc Essentials!**



www.fsh-welding.com

FSH WELDING GROUP
INNOVATIVE WELDING CONSUMABLES

Selectarc®